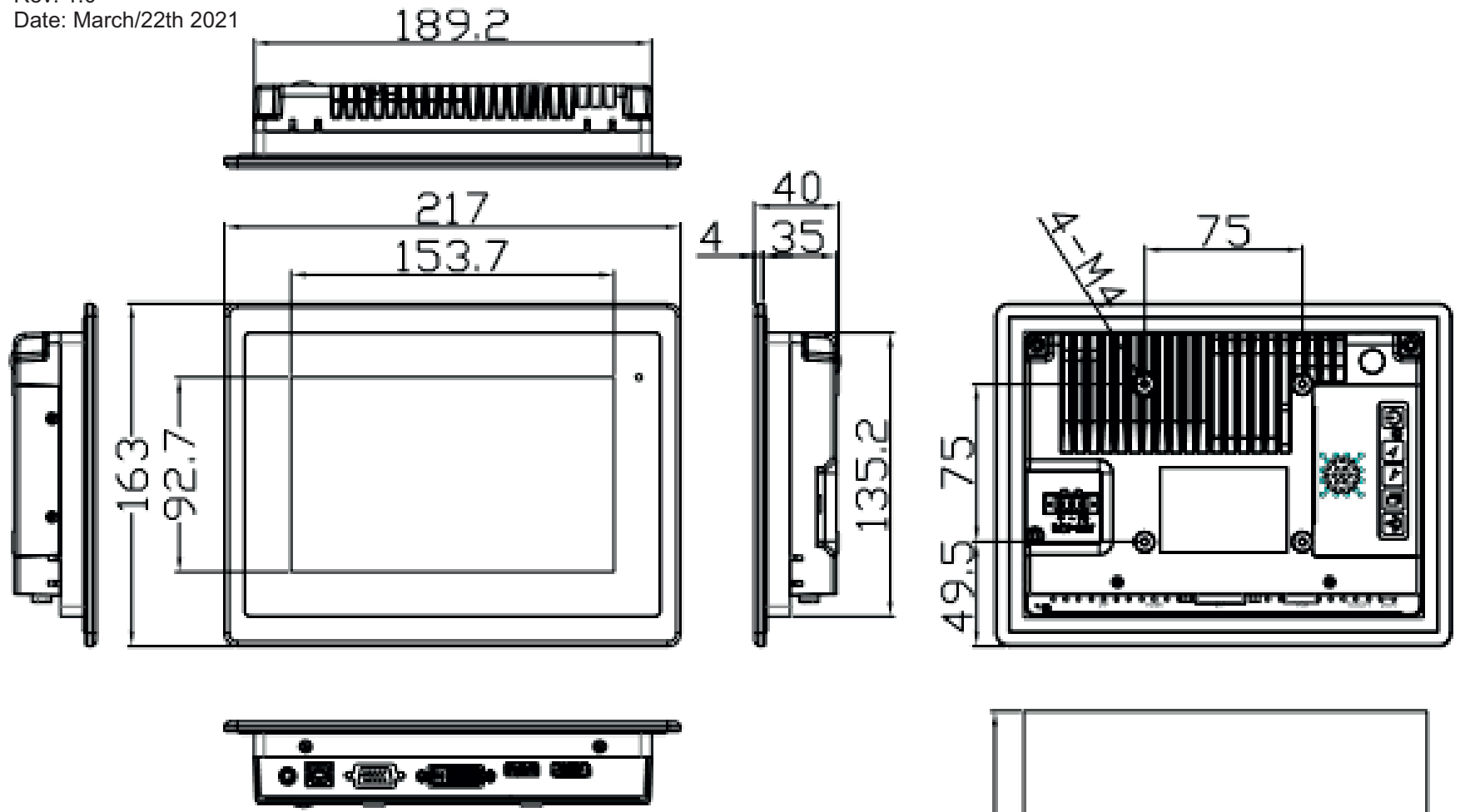


# hematec SMART-HMI-VA-2931 7 (P) Dimensions

Unit: mm  
Tolerance: +/- 0.5  
Rev: 1.0  
Date: March/22th 2021



UNIT: mm  
Tolerance: ±0.5

